



# Sublime Collection

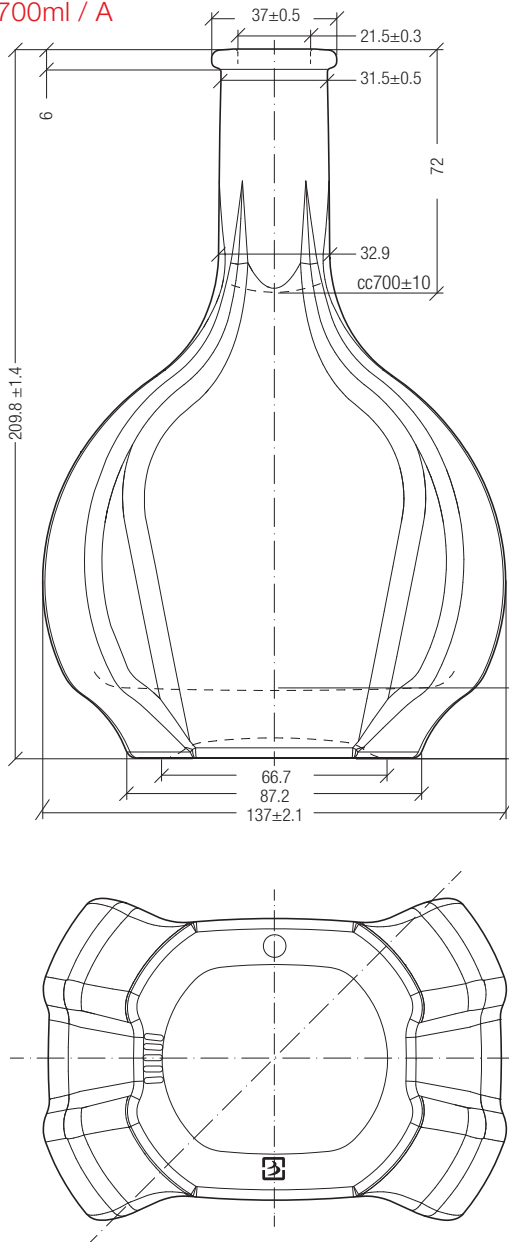
## Decanter Amethyst



# Sublime Collection

— The new Decanter Amethyst bottle, an innovative design for all your products —

700ml / A



700 | 900 | A | Ø137 | 209 | ○

Drawings, dimensions, images and technical data may be subject to variations.



An exclusive and well recognizable personalized design of a container **is an added value for its content as well.**



**Bruni Glass core business** is the design of new packaging shapes and this is possible thanks to the **Innovation Center.**

**bruni glass**  
a **berlin packaging** company

BruniGlass.com  
BruniErben.co.uk  
BerlinPackaging.com