



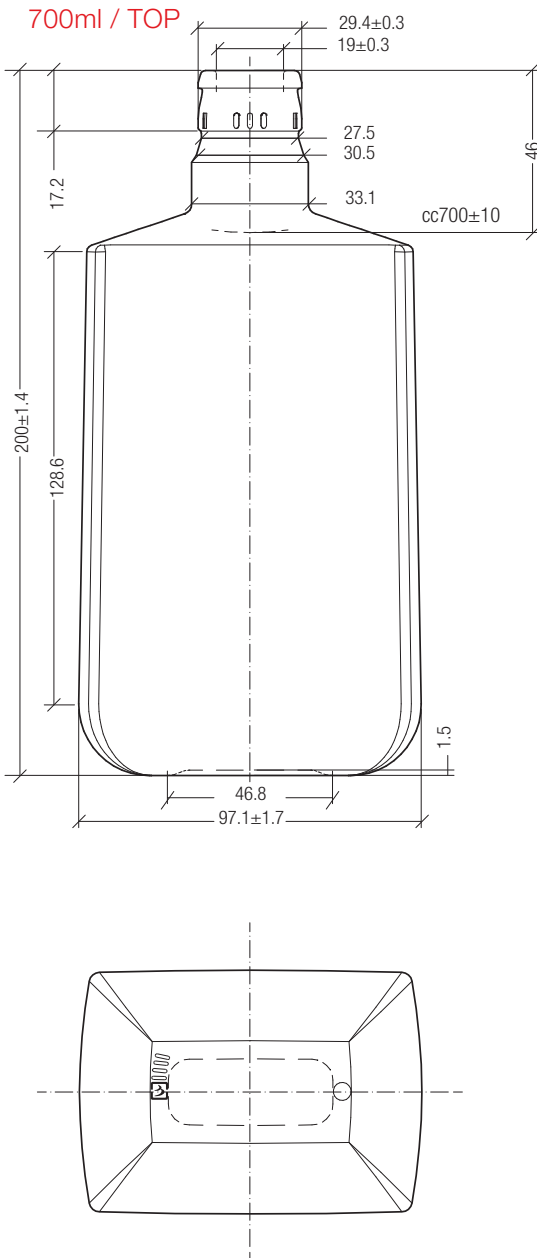
# Sublime Collection

## Nobilis



# Sublime Collection

The new Nobilis bottle, an innovative design for all your products



700 | 600 | TOP | 97.1x69.2 | 200 | ○

Drawings, dimensions, images and technical data may be subject to variations.



An exclusive and well recognizable personalized design of a container **is an added value for its content as well.**



**Bruni Glass core business** is the design of new packaging shapes and this is possible thanks to the **Innovation Center.**

**bruni glass**  
a **berlin packaging** company

BruniGlass.com  
BruniErben.co.uk  
BerlinPackaging.com