



Sublime Collection

Alfie

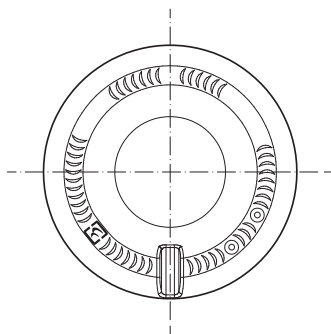
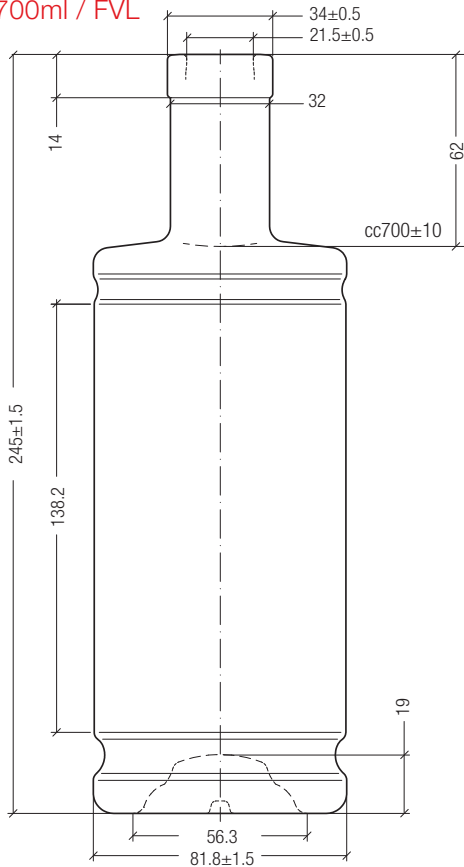


Sublime Collection

The new Alfie bottle, an innovative design for all your products

10/2020

700ml / FVL



700

600

FVL

Ø 81.8

245



Drawings, dimensions, images and technical data may be subject to variations.



PATENT PENDING



An exclusive and well recognizable personalized design of a container **is an added value for its content as well.**



Bruni Glass core business is the design of new packaging shapes and this is possible thanks to the **Innovation Center.**

bruni glass
a **berlin packaging** company

BruniGlass.com
BruniErben.co.uk
BerlinPackaging.com