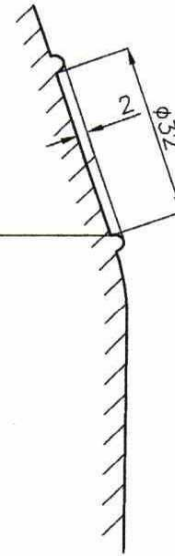
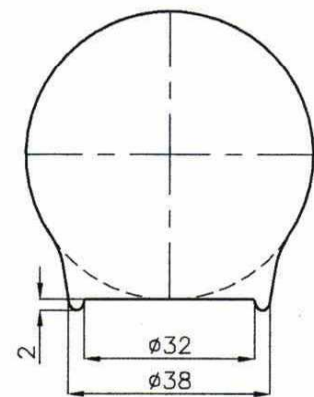


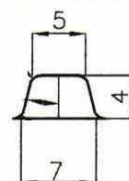
MIN.THROUGH BORE Ø 16
INTERNAL DIAM. Ø 18
GUARANTEED AT ENTRY ONLY



Section A-A



B S2:1



Le quote sono espresse in mm. Solo quelle con indicazione di tolleranza sono impegnative - The dimensions are expressed in mm. Only those showing a tolerance are binding.